

Introducing the Minicamp!

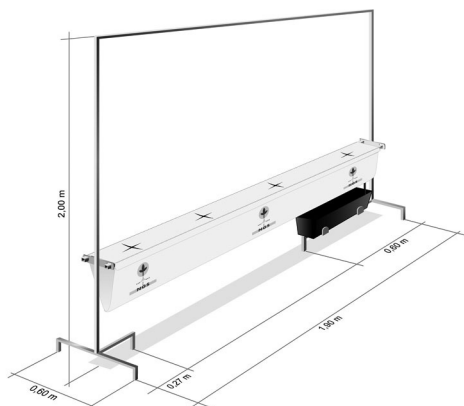
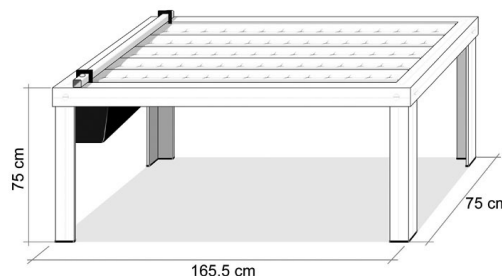
In 2009, Ron Eberly of American Clay Works & Supply Company, visited Almeria, Spain to observe one of the largest vegetable production ranges in Europe. While there the NGS Hydroponic Growing Table caught his eye.

We have since become the United States Distributor for the New Growing Systems Minicamp, Jardinera and bulk Multilayer Trough. The NGS Multilevel Trough system solves many of the problems of traditional NFT growing by allowing the plant root system to be immersed in film and aerated at multiple root levels. We are excited to offer this product to growers and retailers alike. Please contact American Clay Works for information regarding these products and also visit www.minicampusa.com, our retail website, to find out what we are so excited about!

Minicamp

The Minicamp is a table measuring 64.5" x 29" x 29.5" high. The NGS Multilayer Trough is spread in five rows offering 75 planting sites. It comes with a reservoir, timer, pump, fertilizer, jiffy pots and instructions. We recommend an 4 foot 8 bulb T5 light for this unit if it is used in a room without full natural light.

Minicamp Table NGS Unit - NGSMC



Jardinera

The Jardinera is a 5 site large strip of NGS System's larger multilayer trough. This unit is meant to grow and support larger and viney plants. A frame allows for hanging twine to support the growing plants. It comes with a pump, timer, reservoir, fertilizer, rock wool blocks and instructions. We recommend a 4 foot 4 bulb T5 light for this unit if it is used in a room without full natural light.

Jardinera NGS Unit - NGSJ

Equipment

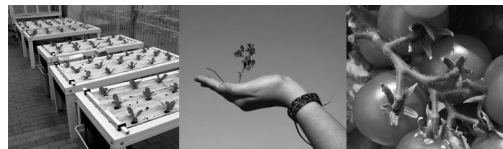
NGS Commercial Trough Rolls

NGS System's Multilayer Trough is available in 3 configurations. One meant to grow leafy plants like lettuce and also herbs, one meant to grow larger viney crops like Tomatos and a specialty Strawberry Trough. The Lettuce Trough is available in bulk rolls of 300 meters (984 feet) and the Tomato Trough is available in bulk rolls of 200 meters (656 feet). Support diagrams are available for onsite fabrication. 300 Meter Strawberry Trough is available in 300 meter (984 feet).

Lettuce Trough - NGSLT300

Tomato Trough - NGSTT200

Strawberry Trough - NGSSB300



MinicampUSA

Ultragrow / Plantmax HPS Bulbs, Ballasts and Fixtures

Direct Hydroponics Wholesale is proud to join this industry by offering high quality products for reasonable prices. After one and a half years of research and development, Plantmax grow light bulbs are NOW here to serve you!

Whether you are a casual home gardener or a professional grower, you will find Plantmax grow light bulbs bring you the ultimate yields. With various flexible purchasing programs and friendly services.

Ultragrow Ballasts and Reflectors

Ultragrow Premium Magnetic Ballasts are affordable and durable. They come in a variety of industry standard configurations, including 400w, 600w and 1000w and run at 110v or 220v (switchable). We highly recommend these units. UL Listed.

Code	Description
DHWUG/BA10000	1000w Ballast
DHWUG/BA600	600w Ballast
DHWUG/BA400	400w Ballast

Ultragrow Reflectors come in a variety of configurations and sizes. Also very economical, with venting options, as well as a parabolic model.

Code	Description
DHWUGRAC6	6" Cool Hood Reflector
DHWUGRAC8	8" Cool Hood Reflector
DHWUGRSLH6	6" Super Large Cool Hood Reflector
DHWUGRSLH8	8" Super Large Cool Hood Reflector
DHWUGRTC6	6" Cool Tube Reflector
DHWUGRTC8	8" Cool Tube Reflector
DHWUGRPR	Parabolic Reflector
DHWUG/D/PVC6	6" 25' Ducting
DHWUG/D/PVC8	8" 25' Ducting

Plantmax HPS and MH Bulbs

Plantmax Bulbs offer great value as well as spectrum for all of your HPS or MH ballasts. We also offer Plantmax T5 Bulbs.

Code	Description
DHWPXLU1000	1000w HPS Bulb
DHWPXLC10000MHDA	1000w Dual Arc MH
DHWPXLU250	250w HPS Bulb
DHWPCLU400	400w HPS Bulb
DHWPCLU600	600w HPS Bulb
DHWPXMS1000	1000w Metal Halide Bulb
DHWPXMS400	400w Metal Halide Bulb
DHWPXFL54830	T5 4' 3000k Red Bulb
DHWPXFL54865	T5 4' 6500k Blue Bulb

Equipment

Solis-Tek Digital HPS/MH Ballasts

Solis-Tek is a leading provider of the industry's first software based technology ballast. We specialize in the highest quality components and circuitry for our digital ballasts for use in the horticulture and hydroponics industries.

At Solis-Tek, we are revolutionizing growing technology. Our innovation and software based products will provide for better efficiency, greater safety and convenience. Come experience a whole new level of growing with Solis-tek digital ballasts.

PROTECTIVE TECHNOLOGY - In addition to our high quality manufacturing, Solis-Tek ballasts have two revolutionary safety features built into all of our products.

Code	Description
STK1000	1000w Solis-Tek Digital Ballast
STK600	600w Solis-Tek Digital Ballast
STLCD1000	1000w Solis-Tek Digital LCD Ballast

Hydrofarm T5 Compact Florescent Fixtures

Hydrofarm's new Designer T5 System delivers performance, flexibility and high lumen output in any growing environment. These daisy-chainable systems allow you to choose multiple hanging configurations to meet your garden's design. They combine German specular aluminum with energy-efficient/high-output T5 bulbs and put out double the light energy of normal fluorescent systems.

Code	Description
FLP22	T5 Premier 2 Foot 2 Tube with Bulbs
FLP24	T5 Premier 2 Foot 4 Tube with Bulbs
FLP28	T5 Premier 2 Foot 8 Tube with Bulbs
FLP44	T5 Premier 4 Foot 4 Tube with Bulbs
FLP46	T5 Premier 4 Foot 6 Tube with Bulbs
FLP48	T5 Premier 4 Foot 8 Tube with Bulbs

PL Light High Pressure Sodium Fixtures

Standard PL Light Hobby Light Features:

- Optional HPS/MH convertible
- 15' Cord detachable lamp cord
- Combination wall mount and carrying handle
- Durable steel body with ventilation openings for maximum cooling
- Standard 120V or 240V power cord
- Available in 120 and 240 volts
- Standard mounting hardware for lamp and reflector
- Optional air cooled reflector
- Five year replacement warranty on ballast kit
- One year warranty on lamps
- C.S.A. and UL approved

Choose the quality and expertise of P.L. Light Systems and give your plants their best chance to shine!

PLH1000 - 1000w HPS Light PLH400 - 400w HPS Light



HANNA Instruments PH/EC Testing / Brix Degree Testing / Light Testing / Nutrient Detection

Code	Description
HI98109	98109 Economy PH Pen
HI981504	pH/TDS/Temperature Monitor with 3 Electrodes
HI9813-5	Portable pH/EC/TDS/Temperature Meter with Multiparameter Probe
HI98129	pH/Conductivity/TDS Tester Waterproof Pen
HI96811	Brix Degree Meter - 0-50% Digital
HI97500	Digital Lux Light Meter
HI83215-01	Photometer for Nutrient Detection - NPK only
HI83225-01	Photometer for Nutrient Detection - NPK+CA+MG+Amonia
HI7004M	4.01 pH Buffer Solution - 20ml, 500ml, 1 liter, 1 gallon
HI77700P	7.01 pH Buffer Solution - 20ml, 500ml, 1 liter, 1 gallon
HI6031	1413 mc/cm EC Solution - 20ml, 230ml, 500ml
HI7029L	5000 µS/cm EC Solution, 500 ml
HI7032L	1382 mg/L (ppm) TDS Bottle, 500 ml Bottle

Equipment



Milwaukee Instruments PH/EC Testing / Brix Degree Testing

Code	Description
MIPH600-HQ	pH600 Economy PH Pen
MIPH55	pH55 PH Tester With LCD
MIMW802	802 Combination pH/EC Digital Combination Meter
MIEC59	EC/TDS/Degrees Celcius Waterproof EC Tester with Auto Calibration
MIAG900	802 Combination Meter with Case and 2 Solutions
MIMA871	Digital Refratometer for Degrees Brix Testing
MI9015	220ml Storage Solution
MI9016	220ml Cleaning Solution
MIM10004B	4.01 pH Buffer Solution in 20ml Sachets
MIM10007B	7.01 pH Buffer Solution in 20ml Sachets
MIM10030B	1,413 ms/cm EC Solution in 20ml Sachets
MIM10032B	1382 PPM TDS Solution in 20ml Sachets
MIM10442B	1500 PPM TDS Solution in 20ml Sachets
MIMA9011	220ml Referance Electrolyte Solution